

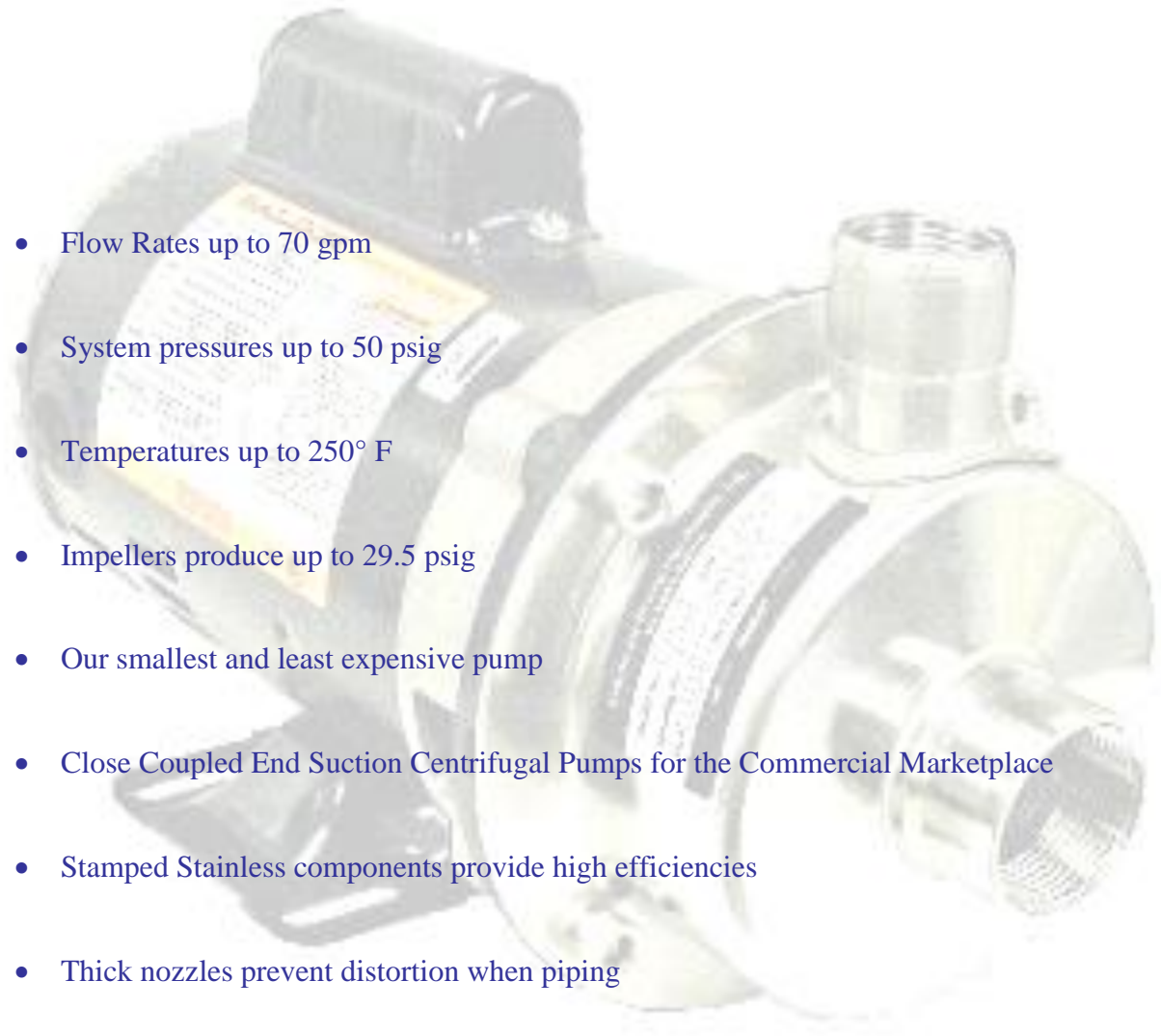
FSP
CENTRIFUGAL PUMP



AMERICAN STAINLESS PUMPS
STAINLESS STEEL PUMPS FOR THE COMMERCIAL MARKETPLACE

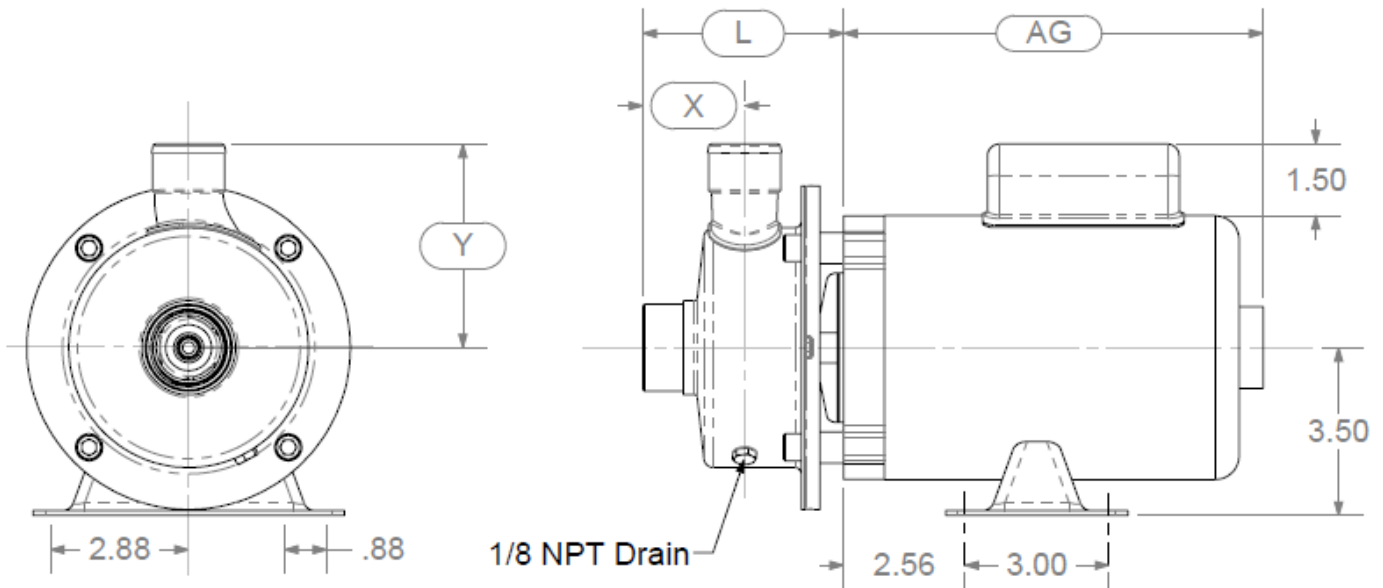
FSP CENTRIFUGAL PUMP

- Flow Rates up to 70 gpm
- System pressures up to 50 psig
- Temperatures up to 250° F
- Impellers produce up to 29.5 psig
- Our smallest and least expensive pump
- Close Coupled End Suction Centrifugal Pumps for the Commercial Marketplace
- Stamped Stainless components provide high efficiencies
- Thick nozzles prevent distortion when piping





FSP Dimensions With Footed Motor



* Dimensions may vary by motor manufacturer or motor enclosure. Ideally, weights and dimensions listed are the largest for each motor horsepower size likely to be encountered. More detailed “Certified for Construction” drawings are available upon request.

Size	Suction	Discharge	L	X	Y	Motor HP	AG ODP 1Ø	AG ODP 3Ø	Ship Wgt. ODP 1Ø//3Ø	AG TEFC 1Ø	AG TEFC 3Ø	Ship Wgt. TEFC 1Ø//3Ø
FSP	1.25 NPT	1.0 NPT	4.2	2.1	4.3	1/2	9.1	8.3	29 // 25	9.3	12.1	28 // 25
						3/4	9.6	8.7	32 // 26	9.8	12.0	35 // 26
						1.0	9.8	8.7	34 // 27	10.0	11.6	37 // 27
						1.5	10.3	9.1	39 // 29	10.5	13.6	43 // 40
						2.0	10.3	9.5	40 // 33	10.8	14.4	45 // 46

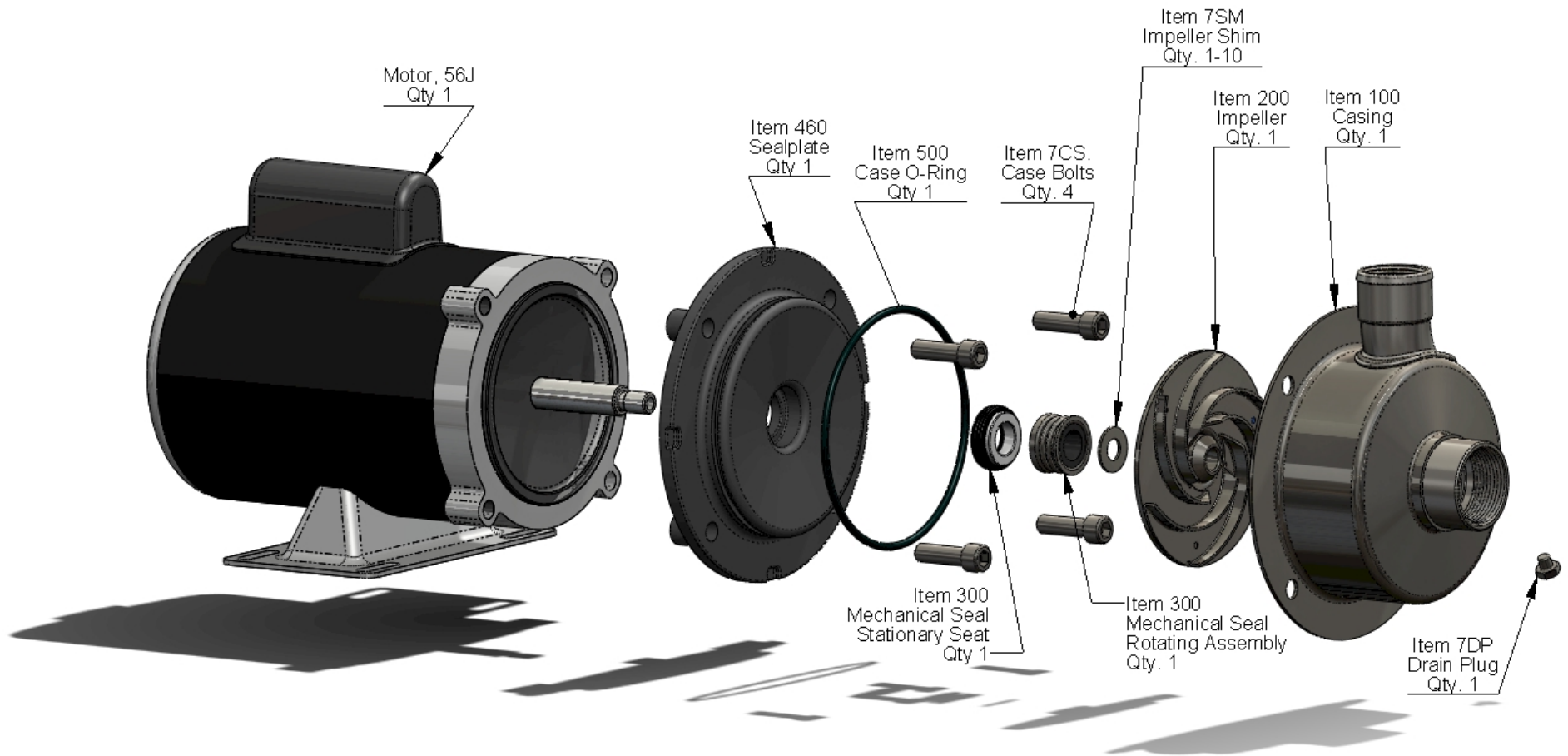
All dimensions in inches ± 1/16". Shipment weight includes packaging.



AMERICAN STAINLESS PUMPS

Stainless Steel Pumps for the Commercial Marketplace

Model FSP Exploded View





AMERICAN STAINLESS PUMPS

Stainless Steel Pumps for the Commercial Marketplace

FSP and SSP and 7SP Catalog Number Nomenclature

Rev. Date
9/21/2018

C 1 56 25 B 1 T 1 X Sample code for a model SSPC, size 1x1.25 with a 5.75" diameter impeller, 0.250 Vane height (at 4.38" diameter), Carbon/Ceramic/Buna Type 6 mechanical seal, with a 1 HP, TEFC, 1/60/115-230V motor, and with a special construction code letter.

1st Symbol	Pump Model	F = FSP: 304 SS, 5 inch case, threaded connections
		S = SSP: Open Impeller, 304SS Pump, 6 inch case, threaded connections
		C = SSPC: Closed Impeller, 304SS Pump, 6 inch case, threaded connections
		D = 7SP: 304SS, 7 inch case, threaded connection

2nd Symbol	Size Code	1 = 1.0" x 1.25" NPT
	Discharge x Suction	2 = 1.5" x 2.0" NPT (SSP Only)
	Discharge x Suction	3 = 1.0" x 1.25" NPT (7SP Only)
	Discharge x Suction	4 = 1.5" 3A sanitary connections

3rd & 4th Symbol	Impeller Diameter	Digits indicate impeller diameter in inches, and eighths of an inch.
		Examples: 43 = 4 and 3/8 = 4.38", 56 = 5 and 6/8 = 5.75"

5th & 6th Symbol	Impeller Vane Height (at a reference ' diameter of 4.38")	Two digits indicate vane height at 4.38" diameter, as indicated on performance curve. Ex: 25 indicates an average vane height of approximately 0.250 inch at 4.38".
		(Note: if the impeller diameter is larger than 4.38", the vane height at the outside

7th Symbol	Mechanical Seal Type & Materials	Type 16		(Std.)	Type-16 o-ring mount	
		B = Car/Cer/Buna	Stock			
		E = Car/Cer/EPR	Stock			
		V = Car/Cer/Viton	Stock		L = Car/SiC/Buna	
		4 = Car/SiC/Viton	Stock		M = Car/SiC/EPR	Stock
		5 = Car/SiC/EPR	Stock		N = Car/SiC/Viton	
		6 = SiC/SiC/Buna	Stock		P = SiC/SiC/Buna	Stock
		7 = SiC/SiC/EPR	Stock		R = SiC/SiC/EPR	Stock
		8 = SiC/SiC/Viton	Stock		T = SiC/SiC/Viton	Stock
		X = Special				

Note: Standard case and impeller o-ring material will match seal elastomer as selected above.

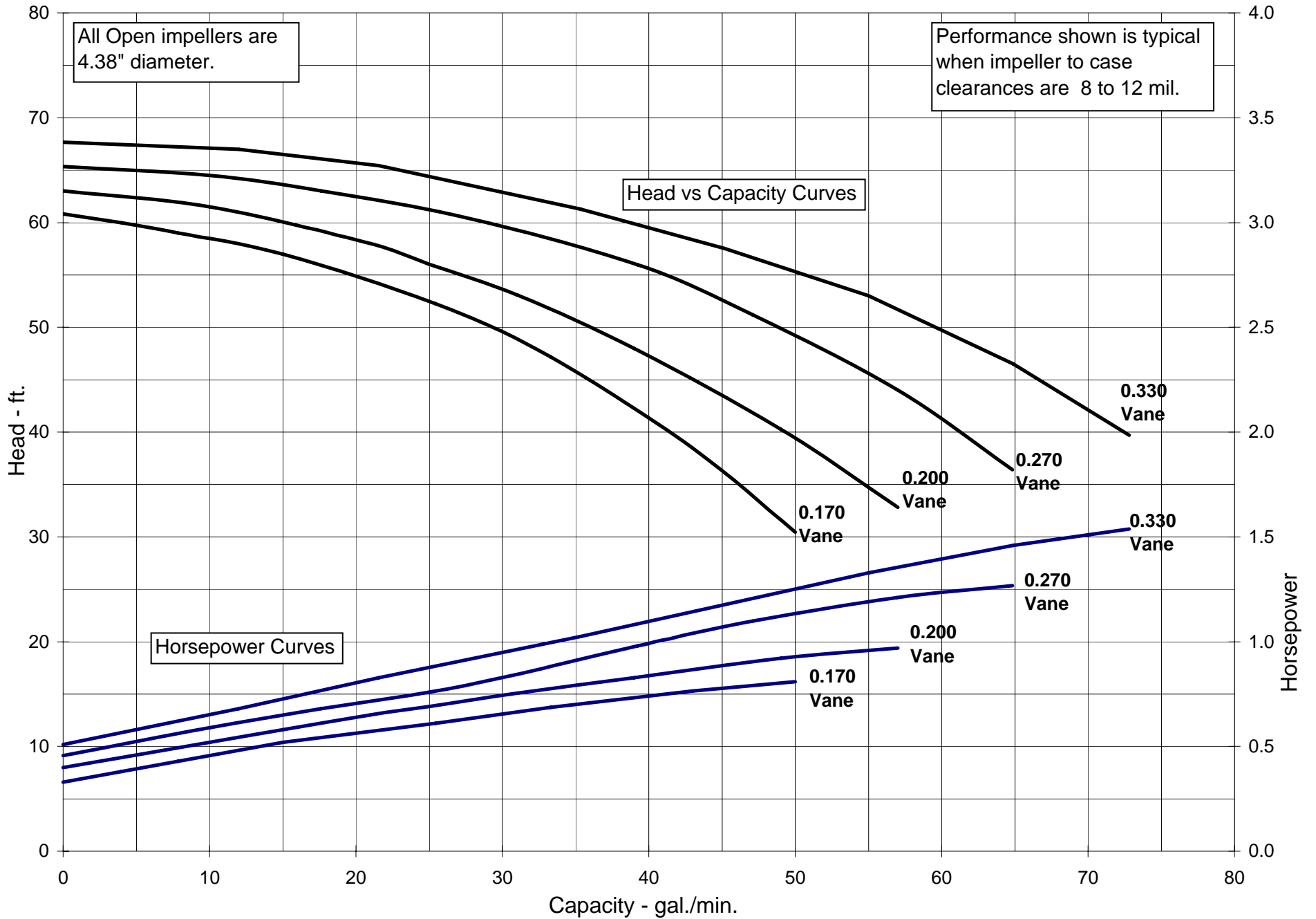
8th Symbol	Motor HP	A = 1/3 HP	1 = 1 HP	3 = 3 HP
		B = 1/2 HP	E = 1.5 HP	5 = 5 HP
		C = 3/4 HP	2 = 2 HP	7 = 7.5HP (non-stock)

9th Symbol	Motor Enclosure	D = Dripproof	X = Explosion Proof	V = TENV
		T = TEFC	W = Washdown Duty	S = Stainless Steel Motor

10th Symbol	Motor Power Details	Power Rating	3500 RPM	1750 RPM	2900 RPM
		1/60/115-230V	1	A	
		1/60/230V	2	B	
		3/60/208V	8		
		3/60/230-460V	3	C	
		3/60/460V	4	D	
		3/60/575V	5	E	
		1/50 or 1/60 (dual)	V	G	V
		3/50 or 3/60 (dual)	S	U	S
		Special	X	X	X
		1/50/110-220V			W
		1/50/220V			Y
3/50/380V			Z		

11th Symbol & Up	Special Construction Codes:	
	Consult factory for special pricing. May indicate a restricted OEM code.	= Stainless Steel Base (no symbol)
		F = Footed Motor
		S = Motor Shaft is 300SS
		X = Special - Consult factory with serial number
		W = welded impeller (no braze)
	V = VFD capable	

FSP Performance at 3500 RPM





AMERICAN STAINLESS PUMPS

Stainless Steel Pumps for the Commercial Marketplace

