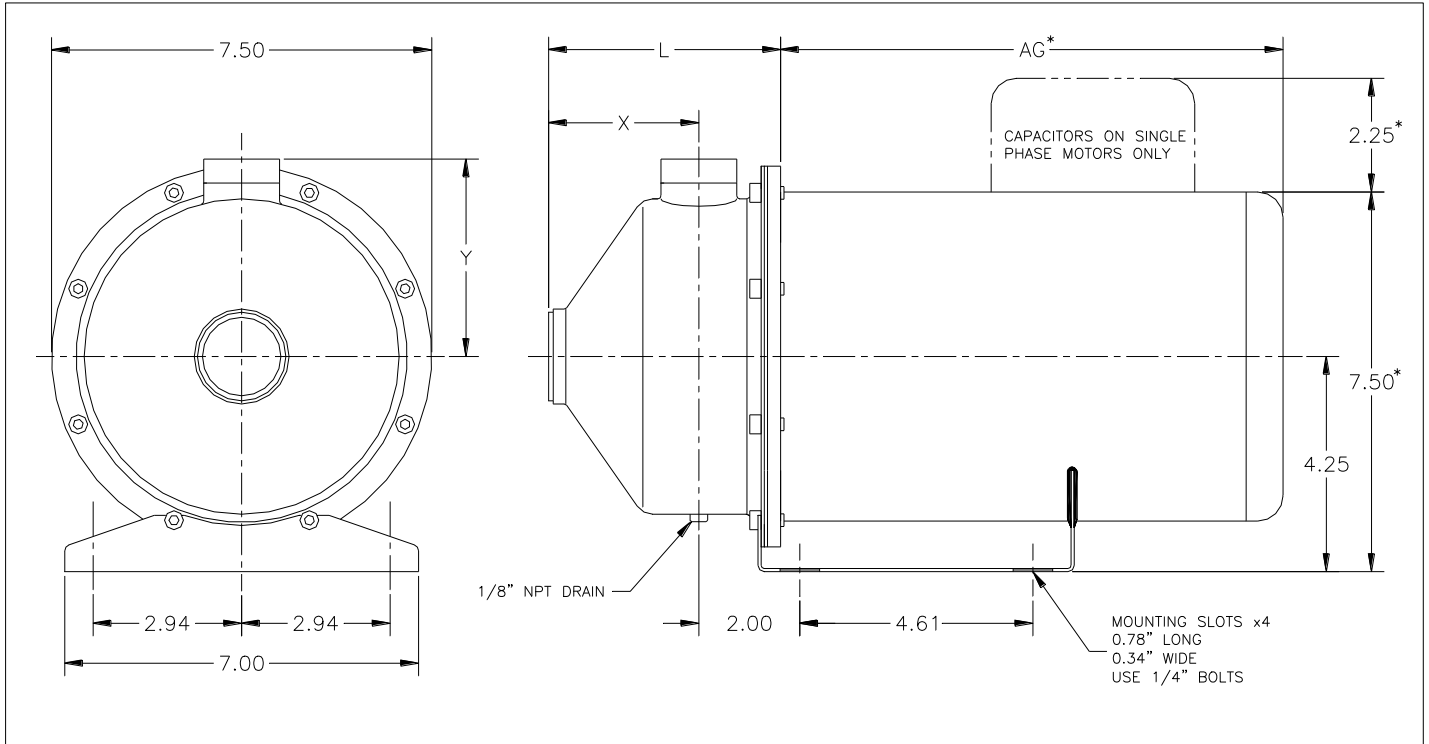




SSP & SSPC Dimensions With Standard Pump Base



* Dimensions may vary by motor manufacturer or motor enclosure. Ideally, weights and dimensions listed are the largest for each motor horsepower size likely to be encountered. More detailed "Certified for Construction" drawings are available upon request.

Size	Suction	Discharge	L	X	Y	Motor HP	AG ODP 1Ø	AG ODP 3Ø	Ship Wgt. ODP 1Ø//3Ø	AG TEFC 1Ø	AG TEFC 3Ø	Ship Wgt. TEFC 1Ø//3Ø
1SSP/C	1.25 NPT	1.0 NPT	4.7	3.1	3.9	1/2	9.1	8.3	32 // 28	9.3	12.1	31 // 28
						3/4	9.6	9.6	35 // 29	9.8	12.0	38 // 29
						1.0	9.8	8.7	37 // 30	10.0	11.6	40 // 30
						1.5	10.3	9.1	42 // 32	10.5	13.6	46 // 43
						2.0	10.3	9.5	43 // 36	10.8	14.4	48 // 49
2SSP/C	2.0 NPT	1.5 NPT	4.3	2.7	4.3	1.0	9.8	8.7	37 // 31	10.0	11.6	40 // 31
						1.5	10.3	9.1	42 // 33	10.5	13.6	46 // 44
						2.0	10.3	9.5	46 // 37	10.8	14.4	48 // 50
						3.0	10.8	10.3	46 // 43	11.3	15.6	55 // 58

All dimensions in inches ± 1/16". Shipment weight includes packaging.