

TSP

STAINLESS STEEL PUMP



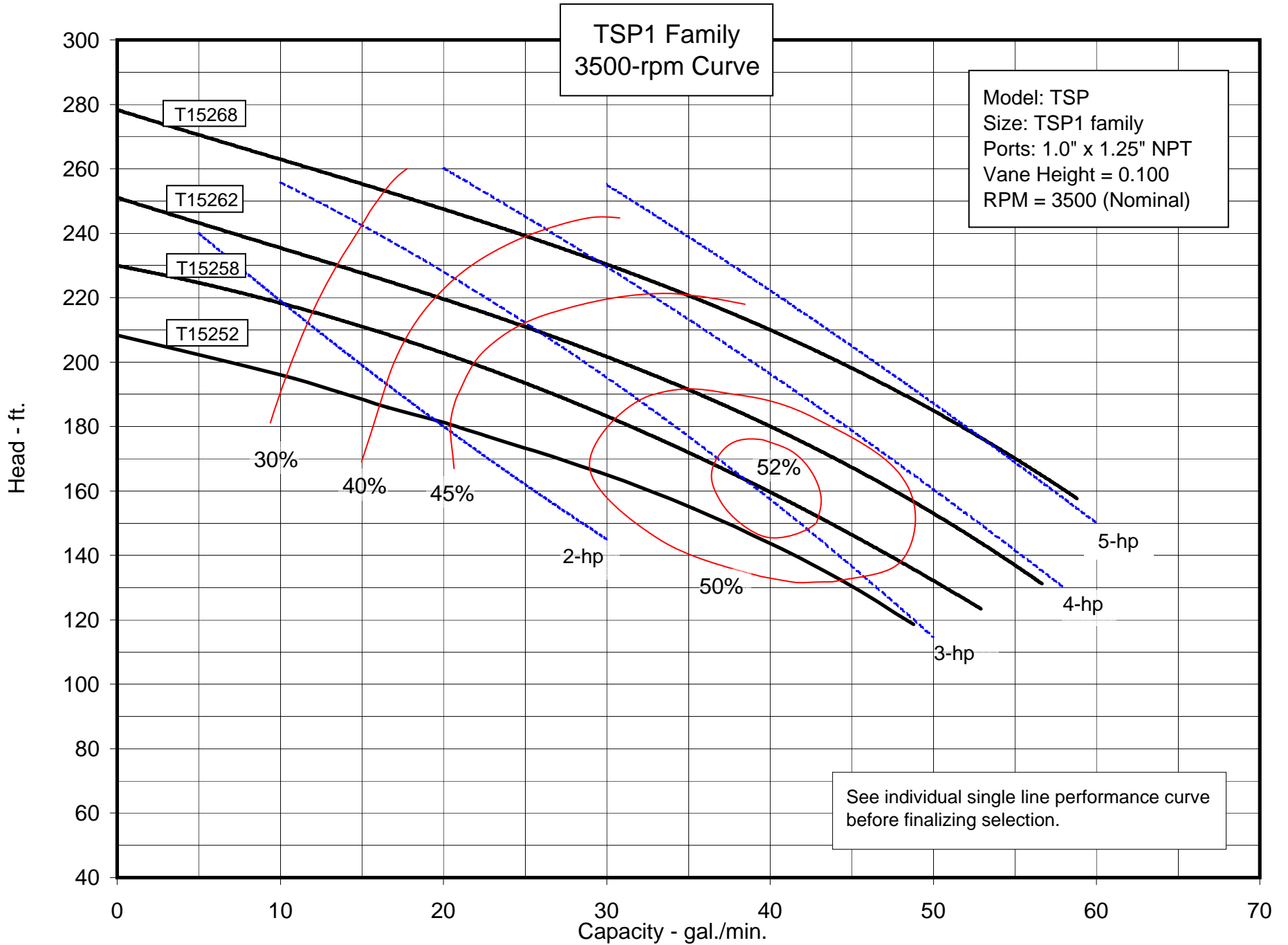
AMERICAN STAINLESS PUMPS

STAINLESS STEEL PUMPS FOR THE COMMERCIAL MARKETPLACE

TSP STAINLESS PUMP

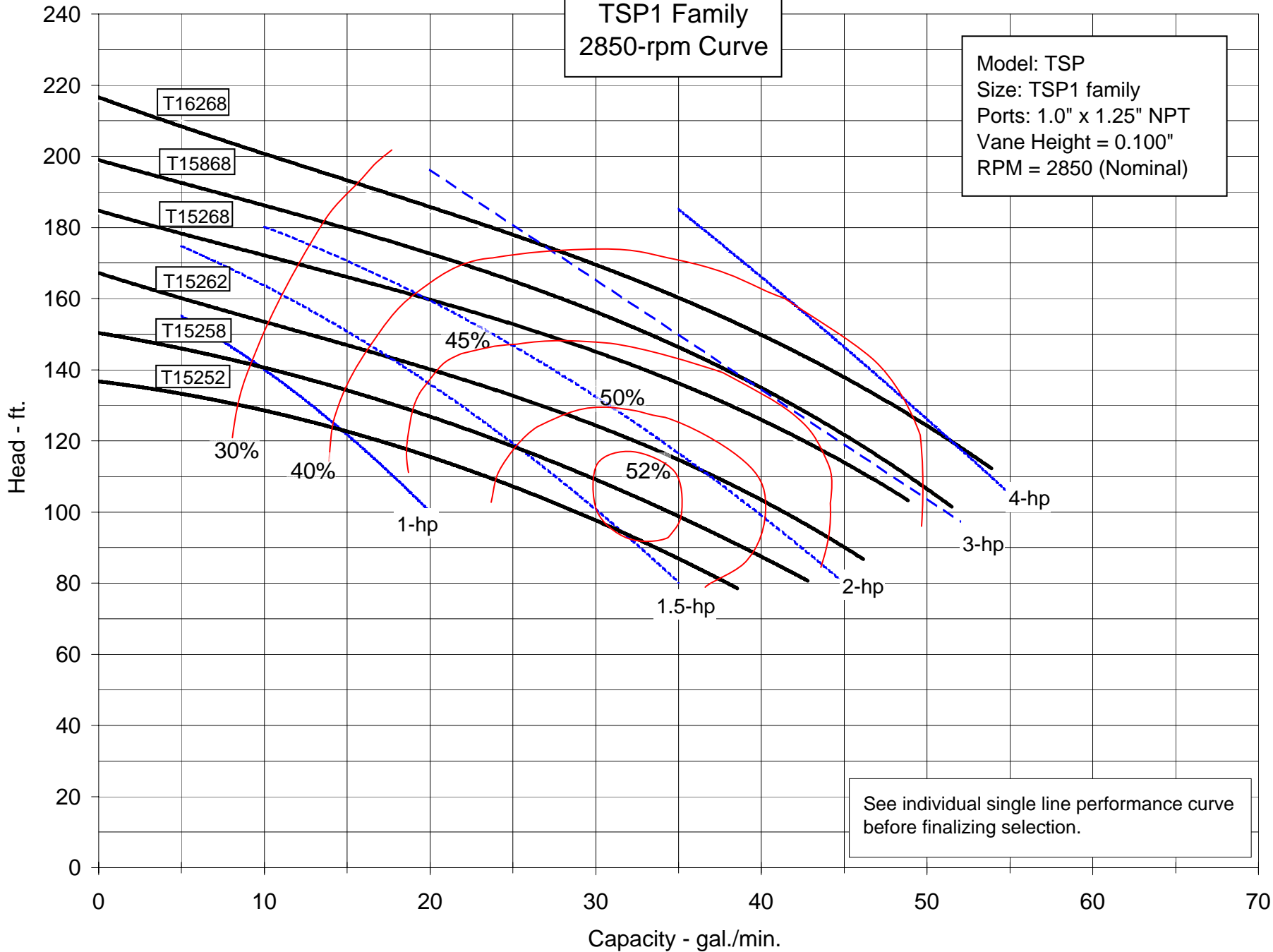
- Two stage high pressure pump produces up to 115 psig
- Flow Rates up to 60 gpm
- System pressures up to 120 psig
- Temperatures up to 250°F
- Impellers up to 6.7" in diameter
- Service in both 50 and 60Hz
- 56J Frame: 2 through 5HP motors available
- 1.0" x 1.25" NPT Connections
- Multiple mechanical seal configurations





TSP1 Family
2850-rpm Curve

Model: TSP
 Size: TSP1 family
 Ports: 1.0" x 1.25" NPT
 Vane Height = 0.100"
 RPM = 2850 (Nominal)



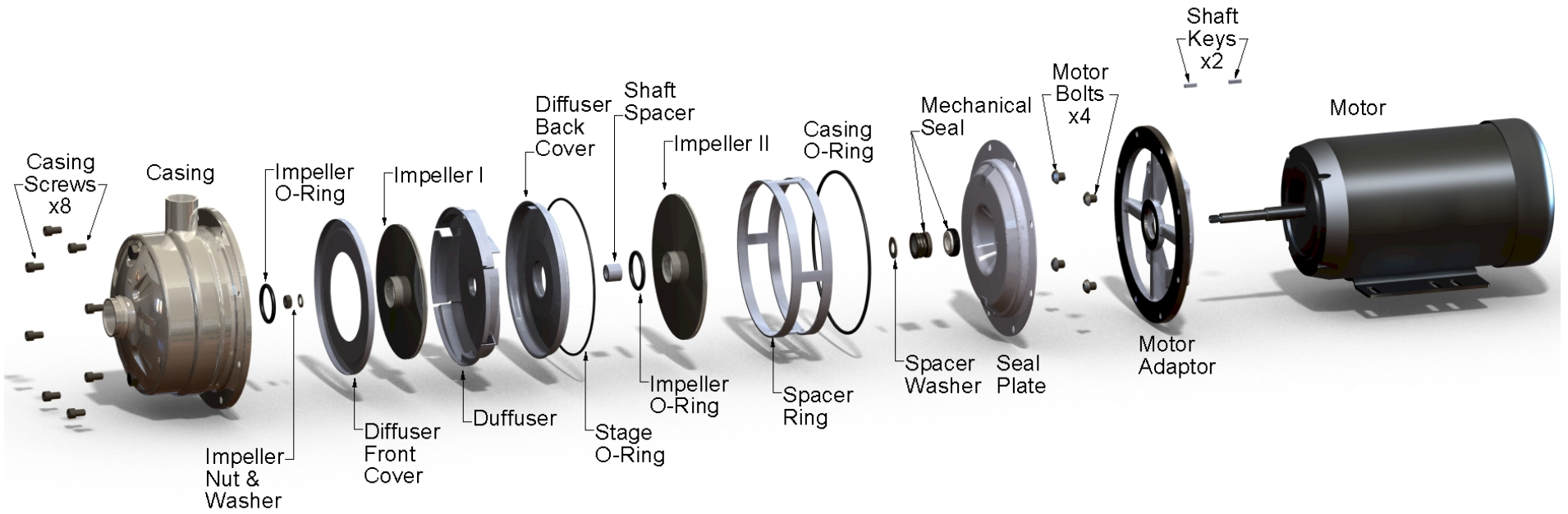
See individual single line performance curve before finalizing selection.



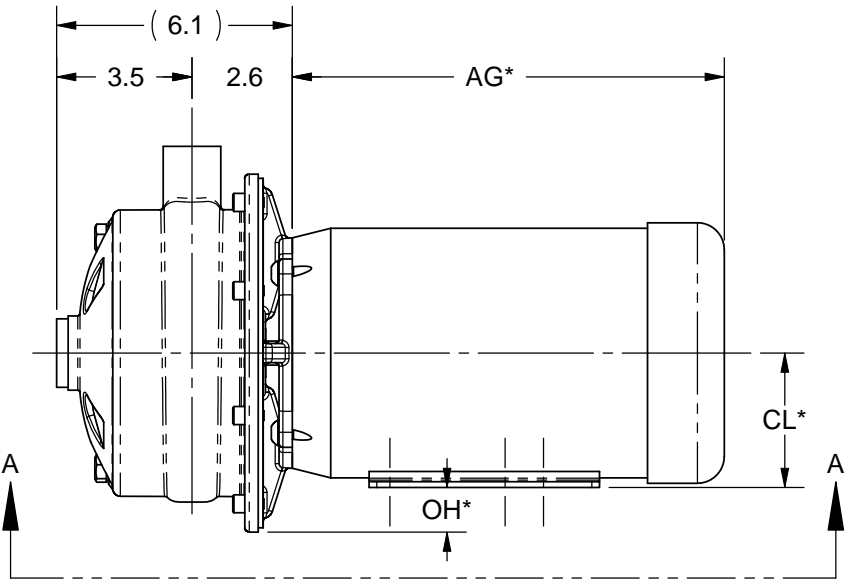
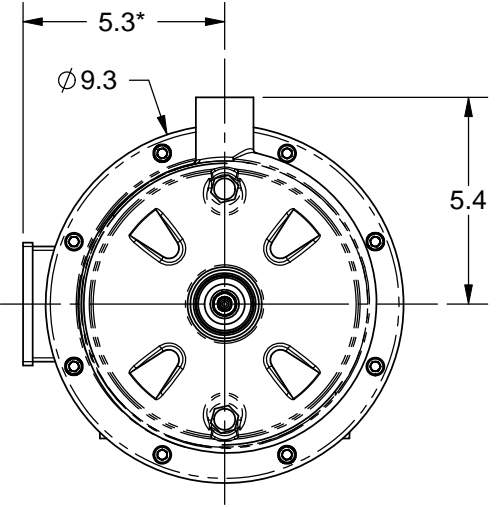
AMERICAN STAINLESS PUMPS

Stainless Steel Pumps for the Commercial Marketplace

Model TSP Exploded View

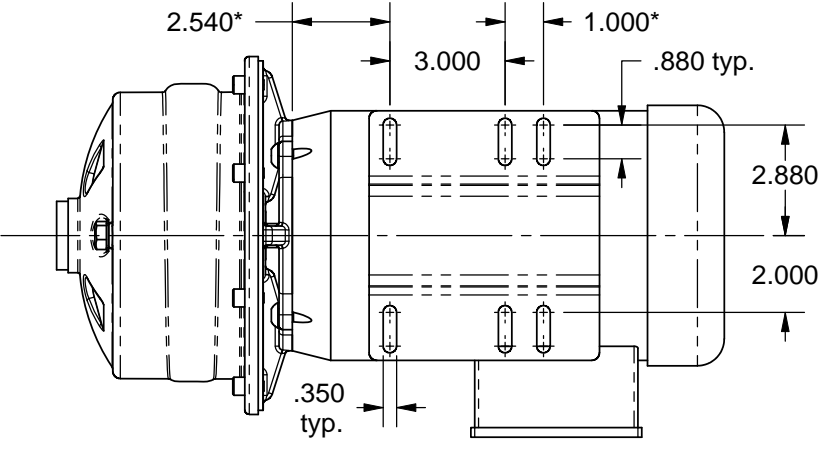


THE INFORMATION CONTAINED IN THIS DRAWING IS THE SOLE PROPERTY OF AMERICAN STAINLESS PUMPS ANY REPRODUCTION IN PART OR WHOLE WITHOUT THE WRITTEN PERMISSION OF AMERICAN STAINLESS PUMPS IS PROHIBITED.



Motor HP	Enc.	Power	AG	CL	OH	Lbs.
3	TEFC	3-phase 60-Hz	12.18	3.5	1.2	35
5	TEFC	3-phase 60 Hz	13.56	3.5	1.2	45

* May vary by motor manufacturer.



SECTION A-A MOUNTING HOLES

MATERIAL: 304 SS Wetted Parts
 MANUFACTURING PROCESS:

CAD GENERATED DRAWING NOT FOR CONSTRUCTION UNLESS INDICATED. DO NOT SCALE DRAWING.
ASP AMERICAN STAINLESS PUMPS
 LOS ANGELES, CALIFORNIA

PART NO. SHEET NAME:
Footed Motor

DRAWN BY: MWC FILE NAME: TSP Outline Drawing
 CHECKED BY: MFB
 RELEASED BY: BOTH
 SHEET: A SCALE: 1:5 PATH: REV. 0 DATE 2/1/12 SHEET 1 OF 1

WHEN NOT NOTED OTHERWISE
 ALL DIMENSIONS IN INCHES. CHAMFER MACHINED EDGES 0.03. REMOVE ALL BURRS. FILLET CORNERS 0.06. RADIAL & DIAMETRICAL DIMENSIONS ARE TO BE HELD TO ± 0.002 . MACHINED FACES SURFACE FINISH 63. SYMMETRICAL TOLERANCE, AND ARE CONCENTRIC WITH PART CENTERLINES. QUESTIONS? CALL 310-630-8089. EMAIL: MCOOL@ASPUMPS.COM

RELEASED FOR CONSTRUCTION? **YES**
TOLERANCES UNLESS OTHERWISE INDICATED

FRACTIONS	DECIMAL	ANGULAR
1/XX \pm 1/32	X \pm 0.015	X \pm 5°
1/XX \pm 1/64	.XX \pm 0.01	.X \pm .1°
	.XXX \pm 0.005	XX \pm .02°
	.XXXX \pm 0.001	

REV.	REVISION DESCRIPTION	DATE
0	ORIGINAL DOCUMENT	

TSP Catalog Number Nomenclature

Rev. Date
5/15/2013

T 1 52 68 4 5 T 3 F

Sample code for a model TSP, size 1x1.25
with a 5.2" diameter impeller (1st Stage) and a 6.8" diameter impeller (2nd Stage)
Carbon / Silicon Carbide / Viton, Type 16 mechanical seal,
with a 5 HP, TEFC, 3/60/230-460V footed motor

1st Symbol	Pump Model	T = TSP: 304 SS, two-stage pump, threaded connections
-------------------	------------	---

2nd Symbol	Size Code	1 = 1.0" x 1.25" NPT female threaded nozzles
-------------------	-----------	--

3rd & 4th Symbol	1st Stage Impeller Diameter	Digits indicate impeller diameter in inches (decimal form) Examples: 52 = 5.2" and 68 = 6.8"
-----------------------------	-----------------------------	---

5th & 6th Symbol	2nd Stage Impeller Diameter	Digits indicate impeller diameter in inches (decimal form) Examples: 52 = 5.2" and 68 = 6.8"
-----------------------------	-----------------------------	---

7th Symbol	Mechanical Seal Type & Materials	Type 16	Type 21
Material Index Material Format: Rotating Face / Stationary Face / Elastomer Car = Carbon Cer = Ceramic SiC = Silicon Carbide		B = Car/Cer/Buna	Stock
		E = Car/Cer/EPR	Stock
		V = Car/Cer/Viton	Stock
		4 = Car/SiC/Viton	Stock
		5 = Car/SiC/EPR	Stock
		6 = SiC/SiC/Buna	Stock
		7 = SiC/SiC/EPR	Stock
		8 = SiC/SiC/Viton	Stock
		X = Special	
			Consult Factory
			Standard
		Note: Standard case and impeller o-ring material will match seal elastomer as selected above.	

8th Symbol	Motor HP	A = 1/3 HP	1 = 1 HP	3 = 3 HP
		B = 1/2 HP	E = 1.5 HP	5 = 5 HP
		C = 3/4 HP	2 = 2 HP	

9th Symbol	Motor Enclosure	D = Dripproof	X = Explosion Proof	S = Stainless Steel Motor (Special)
		T = TEFC	W = Washdown Duty	V = TENV (Special)

10th Symbol	Motor Power Details	Power Rating	3500 RPM	1750 RPM	2900 RPM
		1/60/115-230V	1	A	
		1/60/230V	2	B	
		3/60/230-460V	3	C	
		3/60/460V	4	D	
		3/60/575V	5	E	
		1/50 or 1/60 (dual)	V	G	V
		3/50 or 3/60 (dual)	S	U	S
		Special	X	X	X
		1/50/110-220V			W
		1/50/220V			Y
		3/50/380V			Z

11th Symbol & Up	Special Construction Code. Consult factory for pricing and details. May indicate special OEM configuration.	F = Footed Motor T = Thermal Overload Protection (3 phase motors only) X = Special - Consult factory with serial number
-----------------------------	---	---