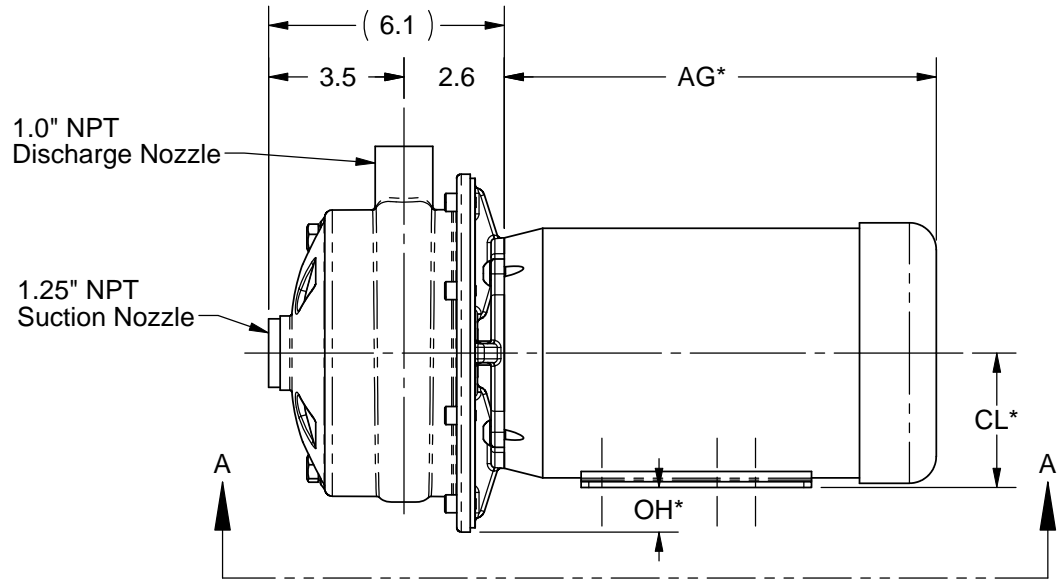
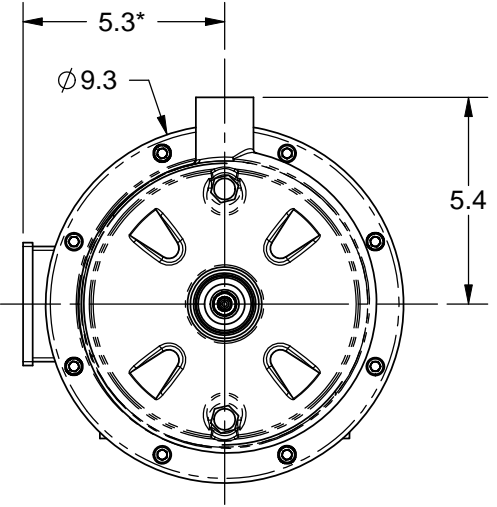
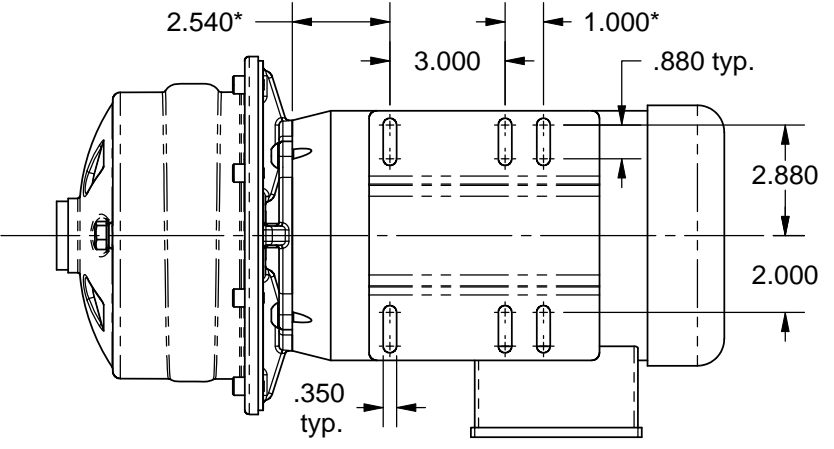


THE INFORMATION CONTAINED IN THIS DRAWING IS THE SOLE PROPERTY OF AMERICAN STAINLESS PUMPS ANY REPRODUCTION IN PART OR WHOLE WITHOUT THE WRITTEN PERMISSION OF AMERICAN STAINLESS PUMPS IS PROHIBITED.



Motor HP	Enc.	Power	AG	CL	OH	Lbs.
3	TEFC	3-phase 60-Hz	12.18	3.5	1.2	35
5	TEFC	3-phase 60 Hz	13.56	3.5	1.2	45

* May vary by motor manufacturer.



SECTION A-A MOUNTING HOLES

MATERIAL: 304 SS Wetted Parts
 MANUFACTURING PROCESS:

CAD GENERATED DRAWING NOT FOR CONSTRUCTION UNLESS INDICATED. DO NOT SCALE DRAWING.
ASP AMERICAN STAINLESS PUMPS
 LOS ANGELES, CALIFORNIA

PART NO. SHEET NAME:
Footed Motor

DRAWN BY: MWC FILE NAME: TSP Outline Drawing
 CHECKED BY: MFB
 RELEASED BY: BOTH
 SHEET: A SCALE: 1:5 PATH: REV. 0 DATE 2/1/12 SHEET 1 OF 1

WHEN NOT NOTED OTHERWISE
 ALL DIMENSIONS IN INCHES. CHAMFER MACHINED EDGES 0.03. FILLET CORNERS 0.06. REMOVE ALL BURRS. RADIAL & DIAMETRICAL DIMENSIONS ARE TO BE HELD TO A ±.002 SYMMETRICAL TOLERANCE, AND ARE CONCENTRIC WITH PART CENTERLINES.
 MACHINED FACES SURFACE FINISH 63. QUESTIONS? CALL 310-630-8089. EMAIL: MCOOL@ASPUMPS.COM

RELEASED FOR CONSTRUCTION? **YES**

TOLERANCES UNLESS OTHERWISE INDICATED

FRACTIONS	DECIMAL	ANGULAR
1/XX ± 1/32	X ± 0.015	X ± 5'
1/XX ± 1/64	.XX ± 0.01	.X ± 1'
	.XXX ± 0.005	XX ± .02'
	.XXXX ± 0.001	

