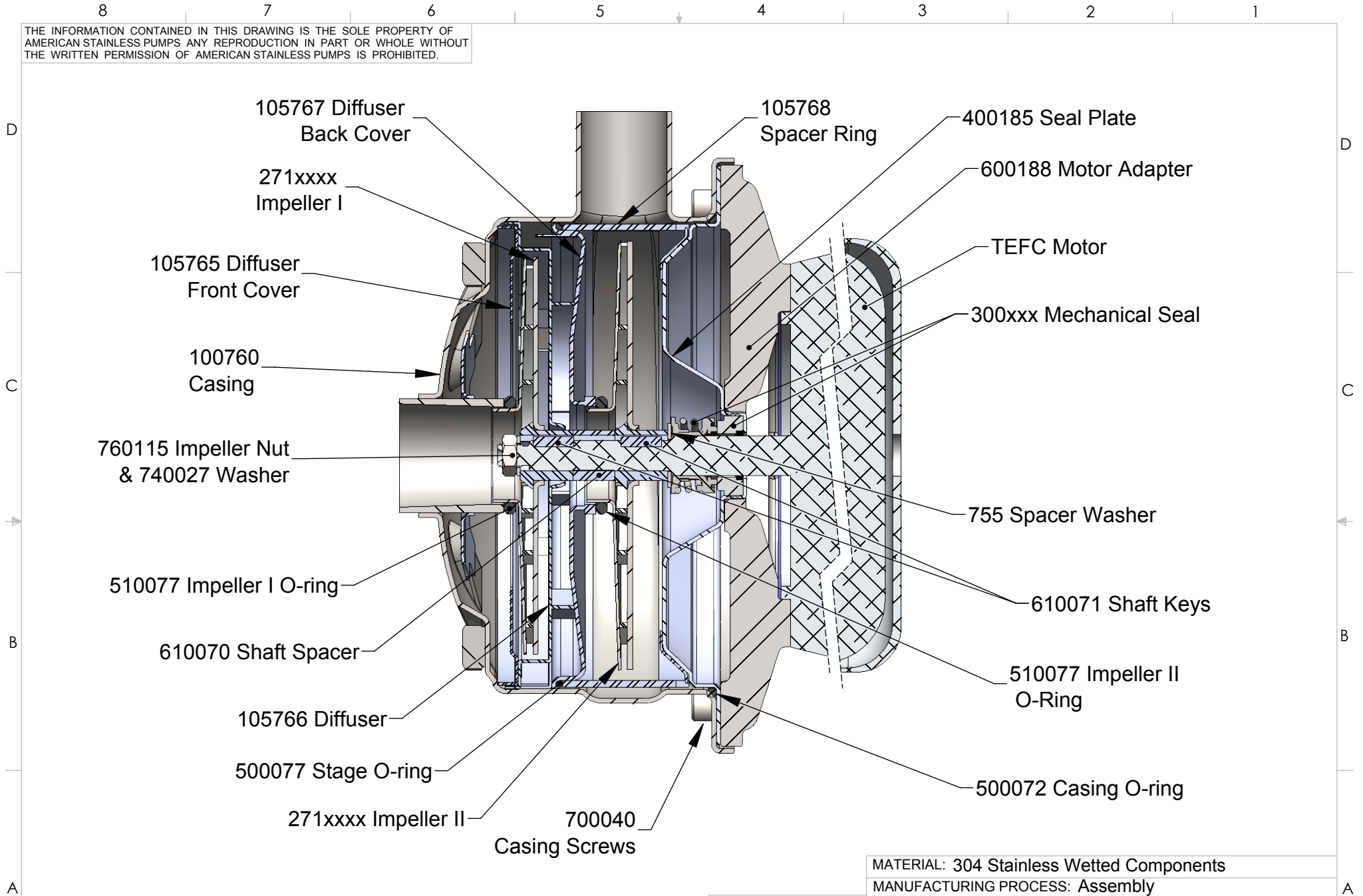


THE INFORMATION CONTAINED IN THIS DRAWING IS THE SOLE PROPERTY OF AMERICAN STAINLESS PUMPS ANY REPRODUCTION IN PART OR WHOLE WITHOUT THE WRITTEN PERMISSION OF AMERICAN STAINLESS PUMPS IS PROHIBITED.



REV.	REVISION DESCRIPTION	DATE
0	ORIGINAL DOCUMENT	1/3/17

WHEN NOT NOTED OTHERWISE

ALL DIMENSIONS IN INCHES.
REMOVE ALL BURRS. BRAKE ALL SHARP EDGES.
RADIAL & DIAMETRICAL FEATURES ARE SYMMETRICAL AND CONCENTRIC WITH PART CENTERLINES.

MACHINED FACES SURFACE FINISH 63 MICRO INCHES.
QUESTIONS? CALL 310-630-8089.
EMAIL: ENGINEERING@ASPUMPS.COM

RELEASED FOR CONSTRUCTION?	REF	
TOLERANCES UNLESS OTHERWISE INDICATED		
FRACTIONS	DECIMAL	ANGULAR
1/X ± 1/32	.X ± 0.015	X ± .5°
1/XX ± 1/64	.XX ± 0.01	.X ± .1°
	.XXX ± 0.005	.XX ± .02°
	XXXX ± 0.001	

MATERIAL: 304 Stainless Wetted Components
MANUFACTURING PROCESS: Assembly

CAD GENERATED DRAWING NOT FOR CONSTRUCTION UNLESS INDICATED. DO NOT SCALE DRAWING.

ASP AMERICAN STAINLESS PUMPS
LOS ANGELES, CALIFORNIA

PART NO. **T1xxxxxT3F** SHEET NAME: **TSP Cross Section**

DRAWN BY: LE FILE NAME: **TSP Cross Section**
CHECKED BY: MB
RELEASED BY: Both
SHEET: A SCALE: 1:8 PATH:

REV. **0** DATE **1/3/17**
SHEET 1 OF 1