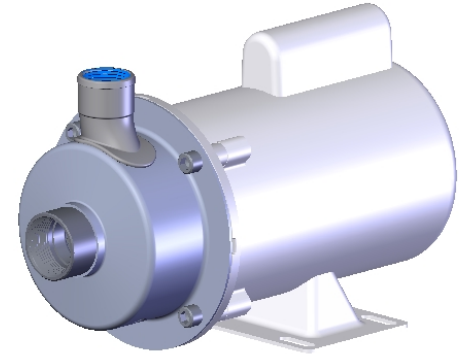
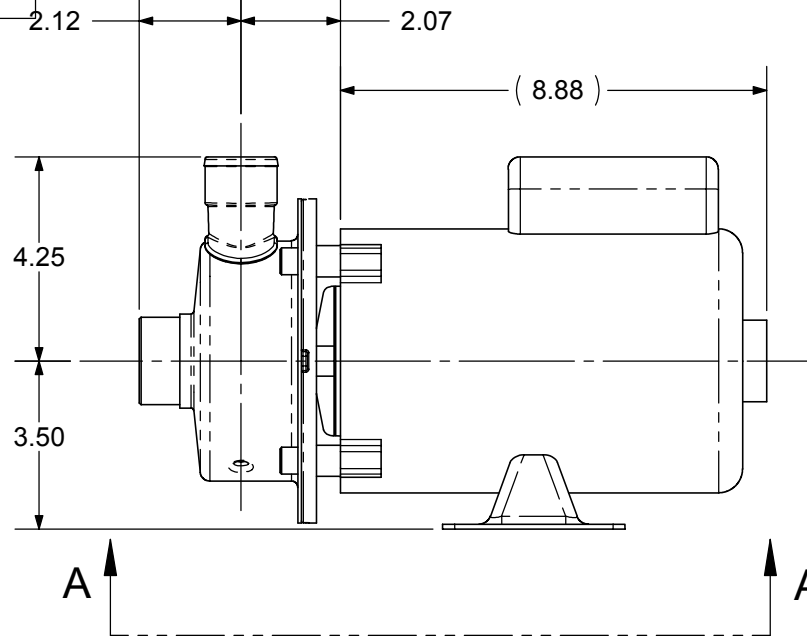
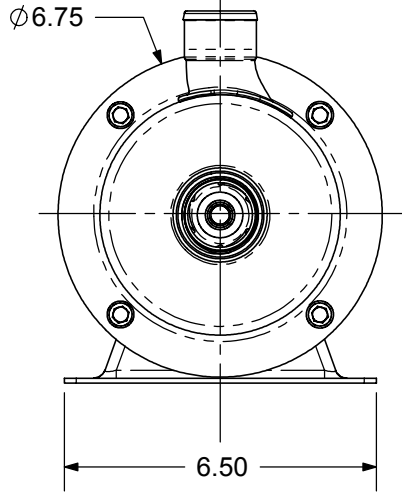
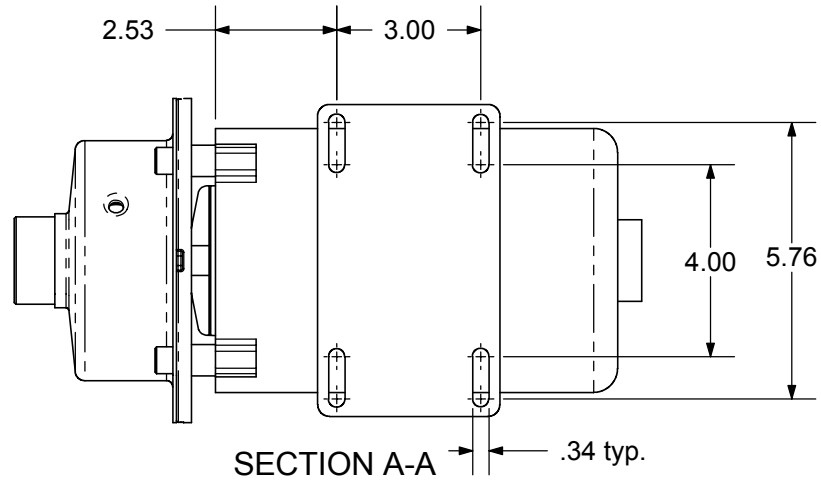


THE INFORMATION CONTAINED IN THIS DRAWING IS THE SOLE PROPERTY OF AMERICAN STAINLESS PUMPS. ANY REPRODUCTION IN PART OR WHOLE WITHOUT THE WRITTEN PERMISSION OF AMERICAN STAINLESS PUMPS IS PROHIBITED.



CUSTOMER:
 PUMP CATALOG NO:
 CONDITIONS OF SERV.
 GPM:
 HEAD:
 SUCTION SIZE: 1.25" NPT
 DISCHARGE: 1.0" NPT
 MOTOR MFG:
 MOTOR HP:
 MOTOR RPM:
 MOTOR VOLTAGE:
 MOTOR PHASE:
 MOTOR FREQUENCY:
 MOTOR FRAME: 56J



			WHEN NOT NOTED OTHERWISE ALL DIMENSIONS IN INCHES. REMOVE ALL BURRS. RADIAL & DIAMETRICAL DIMENSIONS ARE TO BE HELD TO A ±.002 SYMMETRICAL TOLERANCE, AND ARE CONCENTRIC WITH PART CENTERLINES. CHAMFER MACHINED EDGES 0.03. FILLET CORNERS 0.06 MACHINED FACES SURFACE FINISH 63. QUESTIONS? CALL 310-630-8089. EMAIL: MCOOL@ASPUMPS.COM			TOLERANCES UNLESS OTHERWISE INDICATED <table border="1"> <thead> <tr> <th>FRACTIONS</th> <th>DECIMAL</th> <th>ANGULAR</th> </tr> </thead> <tbody> <tr> <td>1/X ± 1/32</td> <td>.X ± 0.015</td> <td>X ± .5 °</td> </tr> <tr> <td>1/XX ± 1/64</td> <td>.XX ± 0.01</td> <td>.X ± .1 °</td> </tr> <tr> <td></td> <td>.XXX ± 0.005</td> <td>.XX ± .02 °</td> </tr> <tr> <td></td> <td>.XXXX ± 0.001</td> <td></td> </tr> </tbody> </table>			FRACTIONS	DECIMAL	ANGULAR	1/X ± 1/32	.X ± 0.015	X ± .5 °	1/XX ± 1/64	.XX ± 0.01	.X ± .1 °		.XXX ± 0.005	.XX ± .02 °		.XXXX ± 0.001		MATERIAL: MANUFACTURING PROCESS: CAD GENERATED DRAWING NOT FOR CONSTRUCTION UNLESS INDICATED. DO NOT SCALE DRAWING.			ASP AMERICAN STAINLESS PUMPS LOS ANGELES, CALIFORNIA		
FRACTIONS	DECIMAL	ANGULAR																											
1/X ± 1/32	.X ± 0.015	X ± .5 °																											
1/XX ± 1/64	.XX ± 0.01	.X ± .1 °																											
	.XXX ± 0.005	.XX ± .02 °																											
	.XXXX ± 0.001																												
			PART NO.: SHEET NAME:			OUTLINE DRAWING																							
REV. 0 ORIGINAL DOCUMENT			DATE 8/18/04			DRAWN BY: MWC FILE NAME: FSP DRAWING CHECKED BY: MFB RELEASED BY: BOTH																							
REV. REVISION DESCRIPTION DATE			SHEET: A SCALE: 1:4 PATH:			SHEET 1 OF 1																							