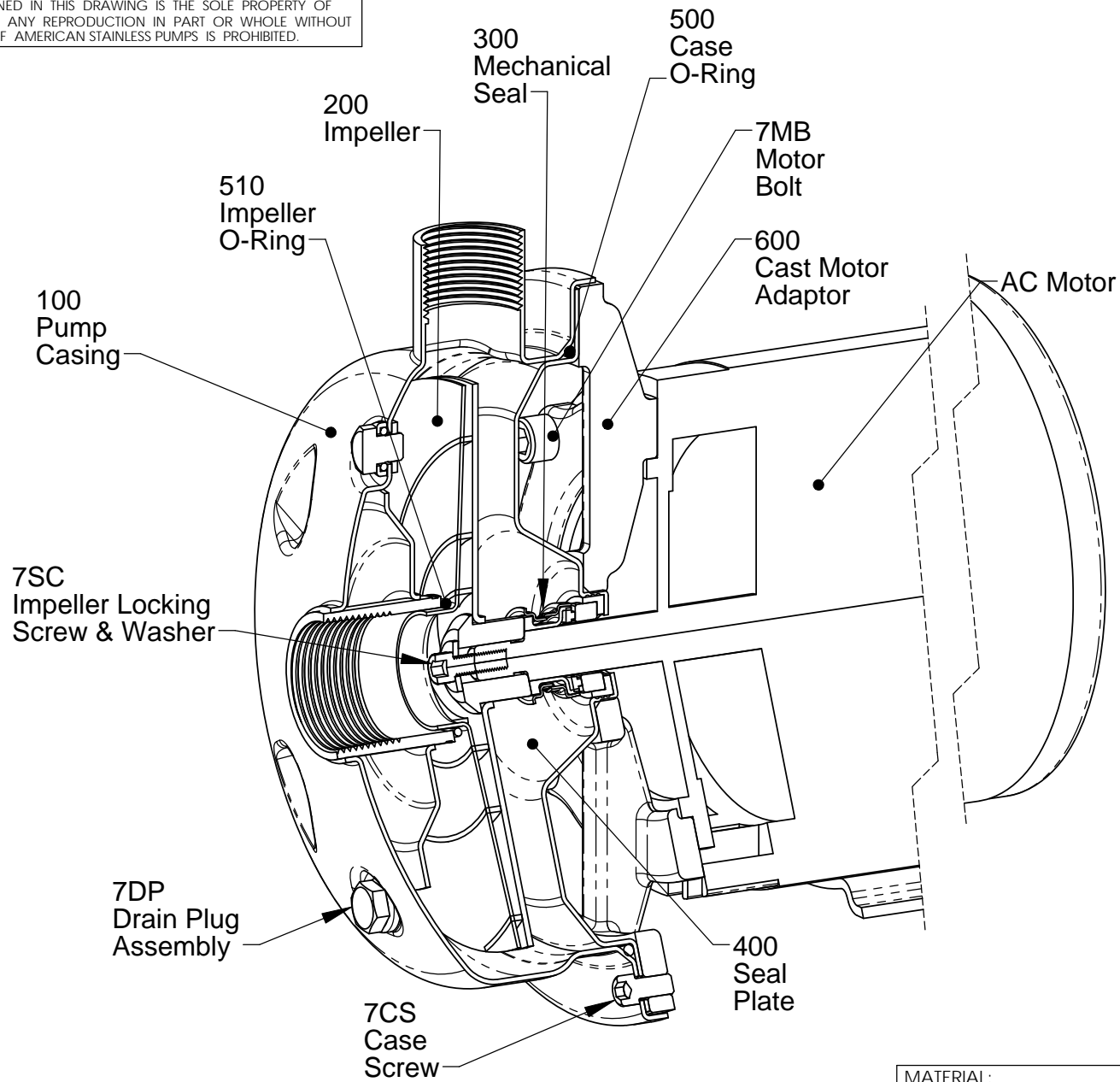


THE INFORMATION CONTAINED IN THIS DRAWING IS THE SOLE PROPERTY OF AMERICAN STAINLESS PUMPS ANY REPRODUCTION IN PART OR WHOLE WITHOUT THE WRITTEN PERMISSION OF AMERICAN STAINLESS PUMPS IS PROHIBITED.



REV.	REVISION DESCRIPTION	DATE
0	ORIGINAL DOCUMENT	

WHEN NOT NOTED OTHERWISE

ALL DIMENSIONS IN INCHES.
 REMOVE ALL BURRS.
 RADIAL & DIAMETRICAL DIMENSIONS ARE TO BE HELD TO A ±.002
 SYMMETRICAL TOLERANCE, AND ARE CONCENTRIC WITH PART CENTERLINES.

CHAMFER MACHINED EDGES 0.03.
 FILLET CORNERS 0.06
 MACHINED FACES SURFACE FINISH 63.
 QUESTIONS? CALL 310-630-8089.
 EMAIL: MCOOL@ASPUMPS.COM

RELEASED FOR CONSTRUCTION?	YES	
TOLERANCES UNLESS OTHERWISE INDICATED		
FRACTIONS	DECIMAL	ANGULAR
1/X ± 1/32	.X ± 0.015	X ± 5°
1/XX ± 1/64	.XX ± 0.01	.X ± 1°
	.XXX ± 0.005	XX ± .02°
	.XXXX ± 0.001	

MATERIAL:		MANUFACTURING PROCESS:	
CAD GENERATED DRAWING NOT FOR CONSTRUCTION UNLESS INDICATED. DO NOT SCALE DRAWING.			
PART NO.	SHEET NAME: Cross Sectional Drawing		
DRAWN BY: MWC	FILE NAME: 7SP X-Sect	REV. 1	DATE 3/17/11
CHECKED BY: MFB	RELEASED BY: BOTH	SHEET: A	SCALE: 1:2
SHEET: A		SCALE: 1:2	PATH: