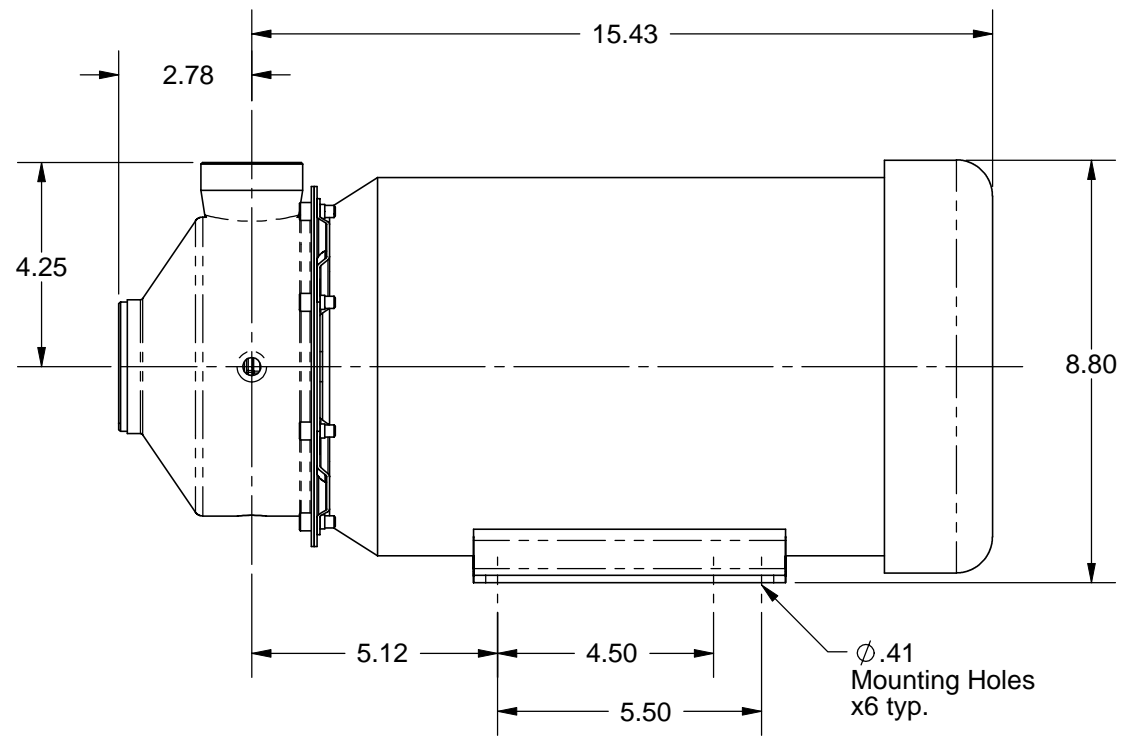
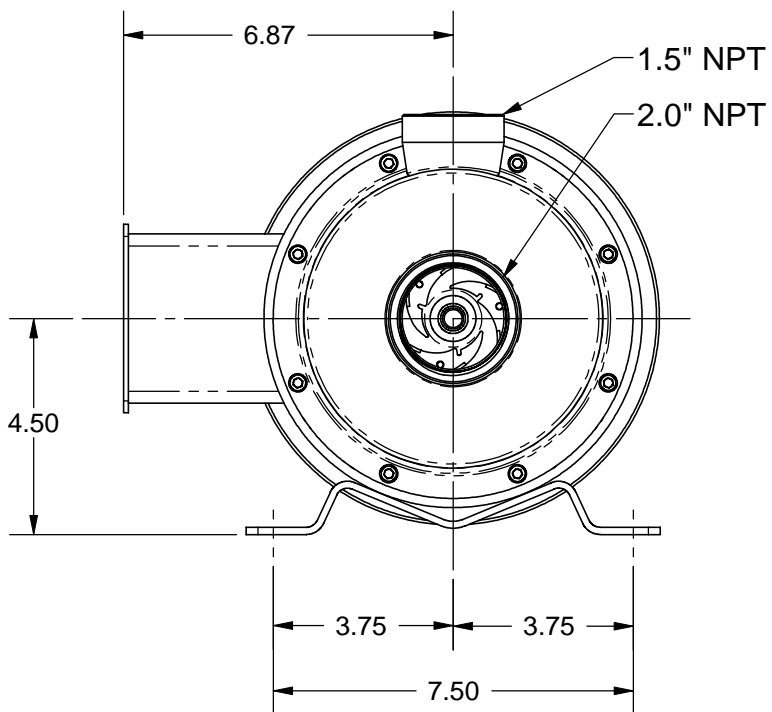
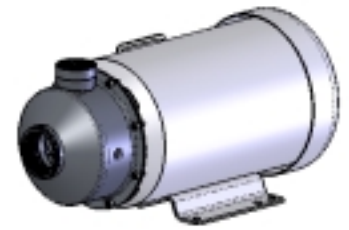


THE INFORMATION CONTAINED IN THIS DRAWING IS THE SOLE PROPERTY OF AMERICAN STAINLESS PUMPS ANY REPRODUCTION IN PART OR WHOLE WITHOUT THE WRITTEN PERMISSION OF AMERICAN STAINLESS PUMPS IS PROHIBITED.

Model: SSPC
 Catalog: C2xxxxx5T3F
 Suction: 2.0" NPT
 Discharge: 1.5" NPT
 Impeller: x.xx dia. x 0.xx vane
 Motor hp-rpm:
 Motor volts/volts-phase-Hz:
 Motor Mfg:
 Seal Materials:
 Assembly Lbs: 90.



REV.	REVISION DESCRIPTION	DATE
0	ORIGINAL DOCUMENT	7/27/06

WHEN NOT NOTED OTHERWISE

ALL DIMENSIONS IN INCHES.
 REMOVE ALL BURRS.
 RADIAL & DIAMETRICAL DIMENSIONS ARE TO BE HELD TO A ±.002 SYMMETRICAL TOLERANCE, AND ARE CONCENTRIC WITH PART CENTERLINES.

CHAMFER MACHINED EDGES 0.03.
 FILLET CORNERS 0.06
 MACHINED FACES SURFACE FINISH 63.
 QUESTIONS? CALL 310-630-8089.
 EMAIL: MCOOL@ASPUMPS.COM

RELEASED FOR CONSTRUCTION? **YES**

TOLERANCES UNLESS OTHERWISE INDICATED

FRACTIONS	DECIMAL	ANGULAR
1/X ± 1/32	.X ± 0.015	X ± 5 °
1/XX ± 1/64	.XX ± 0.01	.X ± 1 °
	.XXX ± 0.005	XX ± .02 °
	.XXXX ± 0.001	

MATERIAL: 304 SS Wetted Parts

MANUFACTURING PROCESS:

CAD GENERATED DRAWING NOT FOR CONSTRUCTION UNLESS INDICATED DO NOT SCALE DRAWING.

ASP American Stainless Pumps
 LOS ANGELES, CALIFORNIA

PART NO. _____ SHEET NAME: **Outline Drawing**

DRAWN BY: MWC FILE NAME: **C2xxxxx5T3F**

CHECKED BY: MFB

RELEASED BY: BOTH

REV. **0** DATE **7/27/06**

SHEET: A SCALE: 1:4 PATH: _____ SHEET 1 OF 1