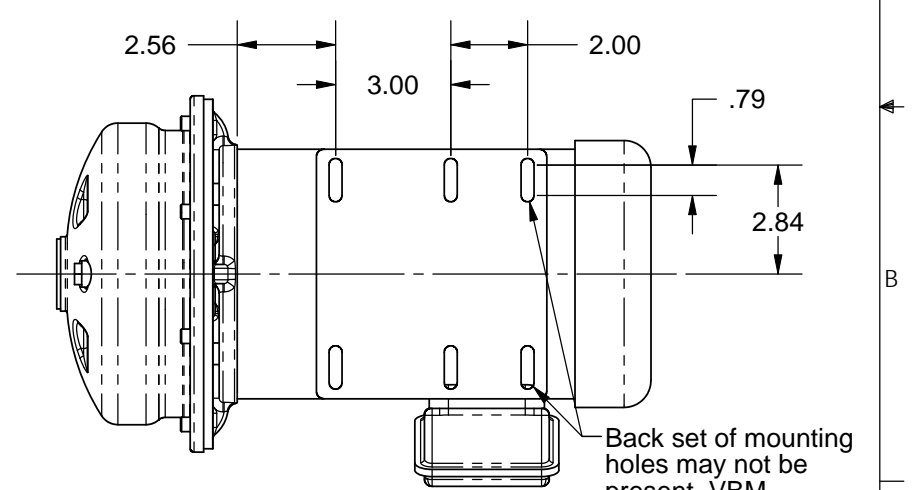
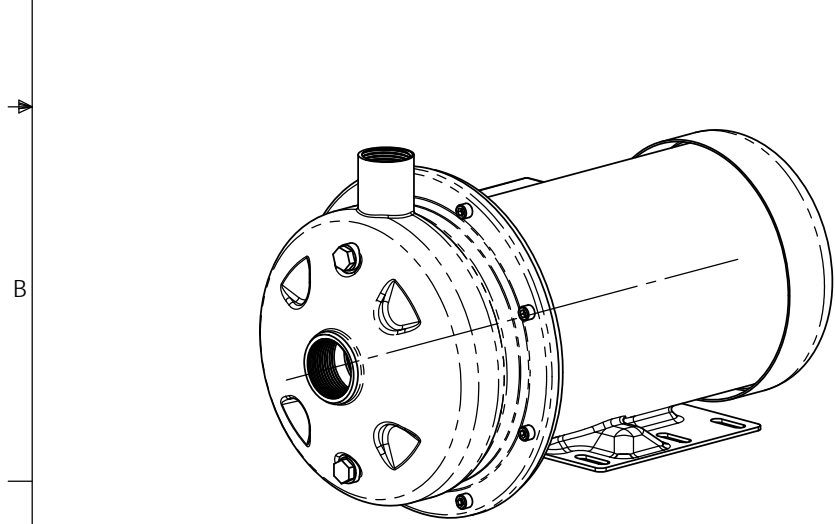
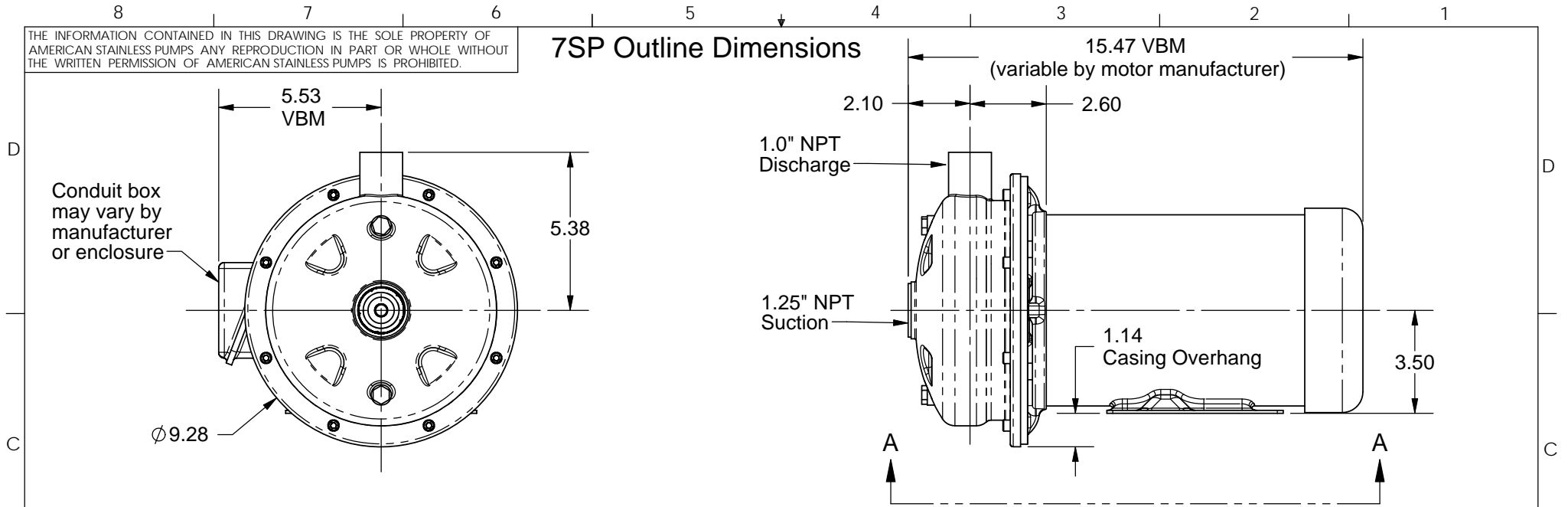


THE INFORMATION CONTAINED IN THIS DRAWING IS THE SOLE PROPERTY OF AMERICAN STAINLESS PUMPS ANY REPRODUCTION IN PART OR WHOLE WITHOUT THE WRITTEN PERMISSION OF AMERICAN STAINLESS PUMPS IS PROHIBITED.

# 7SP Outline Dimensions



SECTION A-A  
Motor Foot View

REV.	REVISION DESCRIPTION	DATE
0	ORIGINAL DOCUMENT	

**WHEN NOT NOTED OTHERWISE**

ALL DIMENSIONS IN INCHES.  
 REMOVE ALL BURRS.  
 RADIAL & DIAMETRICAL DIMENSIONS ARE TO BE HELD TO A ±.002  
 SYMMETRICAL TOLERANCE, AND ARE CONCENTRIC WITH PART CENTERLINES.

CHAMFER MACHINED EDGES 0.03.  
 FILLET CORNERS 0.06  
 MACHINED FACES SURFACE FINISH 63.  
 QUESTIONS? CALL 310-630-8089.  
 EMAIL: MCOOL@ASPUMPS.COM

RELEASED FOR CONSTRUCTION?	Quote	
TOLERANCES UNLESS OTHERWISE INDICATED		
FRACTIONS	DECIMAL	ANGULAR
1/X ± 1/32	X ± 0.015	X ± 5°
1/XX ± 1/64	.XX ± 0.01	.X ± .1°
	.XXX ± 0.005	XX ± .02°
	.XXXX ± 0.001	

MATERIAL: Material  
 MANUFACTURING PROCESS: Process

CAD GENERATED DRAWING NOT FOR CONSTRUCTION UNLESS INDICATED. DO NOT SCALE DRAWING.

**ASP AMERICAN STAINLESS PUMPS**  
 LOS ANGELES, CALIFORNIA

PART NO. Part No  
 SHEET NAME: Dimension Sheet

DRAWN BY: MWC FILE NAME: 7SP-3T3F Outline Drawing  
 CHECKED BY: MFB  
 RELEASED BY: BOTH

REV. 0 DATE 10/28/07  
 SHEET: A SCALE: 1:5 PATH: SHEET 1 OF 1